

freerider®

SPARE PARTS MANUAL

Mayfair Deluxe

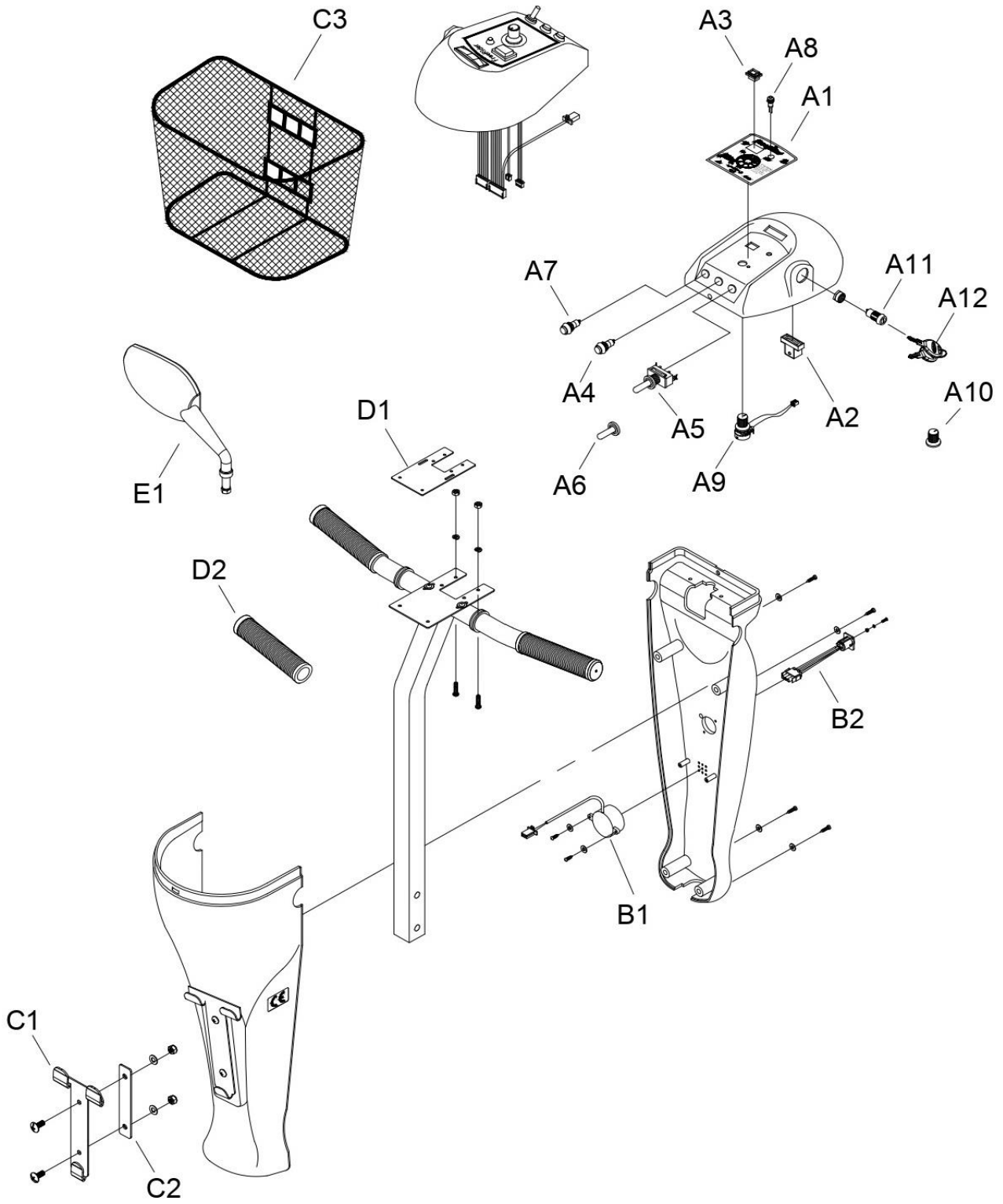
FRS034BSUKNC
FR168-4(Deluxe)



INDEX

1. HANDLEBAR ASSEMBLY.....	P.4
2. CHASSIS COVER ASSEMBLY.....	P.6
3. FRONT CHASSIS ASSEMBLY.....	P.8
4. REAR CHASSIS ASSEMBLY-DRIVE SYSTEM.....	P.10
5. STEERING.....	P.12
6. SEAT ASSEMBLY.....	P.14
7. CONSOLE AND WRING SYSTEM.....	P.16

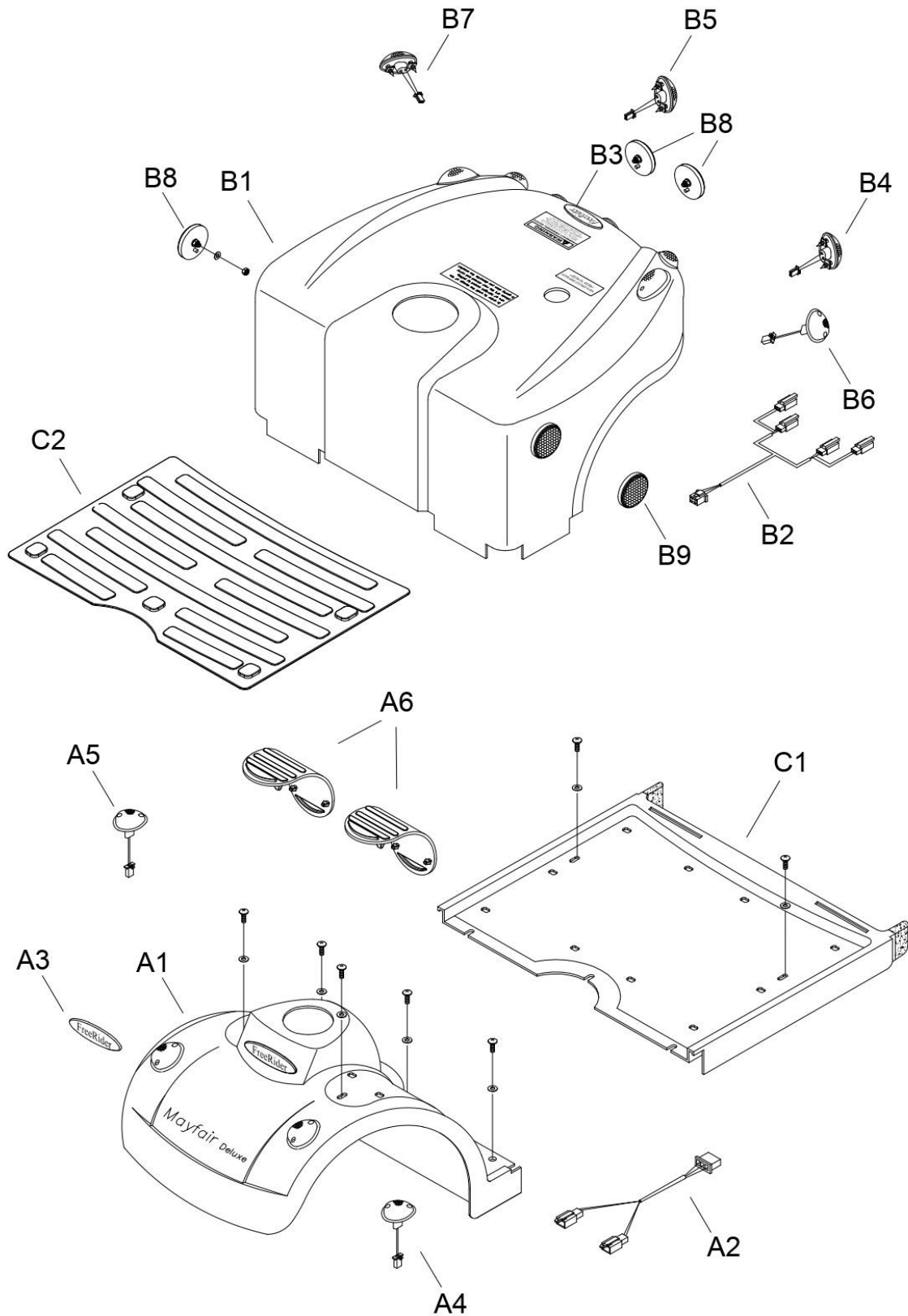
1. HANDLEBAR ASSEMBLY



1. HANDLEBAR ASSEMBLY

販售 Selling	項目 ITEM	品號 Part Number	中文品名 Part Name-CN	英文品名 Part Name-EN	數量 QTY	備註 Remark	GBP
	A1 - E1						
	A1 - A11	AA01-0100-MG	把手上蓋總成	Top console cover assy.	1		
	A1	PL01-0100	面板貼紙	Sticker	1		
	A2	PKE1-0700	電錶	Battery meter	1		
	A3	PAE1-0800	大燈開關	Head light switch	1		
	A4	PKE1-0103	喇叭開關	Horn switch	1		
	A5	PKE1-0105	搖頭開關	Indicator switch	1		
	A6	PP01-0200	搖頭開關蓋	Indicator switch cap	1		
	A7	PKE1-0101	警示開關	Warning switch	1		
	A8	PKE1-0800	LED指示燈(綠)	Status light(Green)	1		
	A9	PAE1-0100-MO	20KVR小總成	20KVR Potentiometer	1	W/speed knob	
	A10	PP01-0500	速度旋鈕	Speed knob	1		
	A11	PM01-0100	鑰匙開關	Key switch	1		
	A12	PM90-0900	鑰匙	Key	1		
	B1 - B2	AA02-0100-MG	把手後蓋總成	Tiller rear cover assy.	1		
	B1	PKE1-0603	喇叭-長	Horn	1		
	B2	PAE1-0405-NP-A00	充電座小總成	Charge socket assy.	1		
	C1 - C2	AA03-0400-MG	把手前蓋總成	Tiller front cover assy.	1		
	C1	PM03-0300-D1	籃子掛鉤	Basket hook	1		
	C2	PM03-0301	掛鉤墊片	Basket hook washer	1		
	C3	PM90-0100	籃子	Basket	1		
	D1 - D2	PA01-A300	T型把手小總成	Tiller handlebar assy.	1		
	D1	PM02-0105	5KVR固定鐵片	Potentiometer plate	1		
	D2	PP02-0209	把手握套	Hand grip	2		
	E1	PP90-0203-R	後照鏡-右	Mirror(Right)	1		

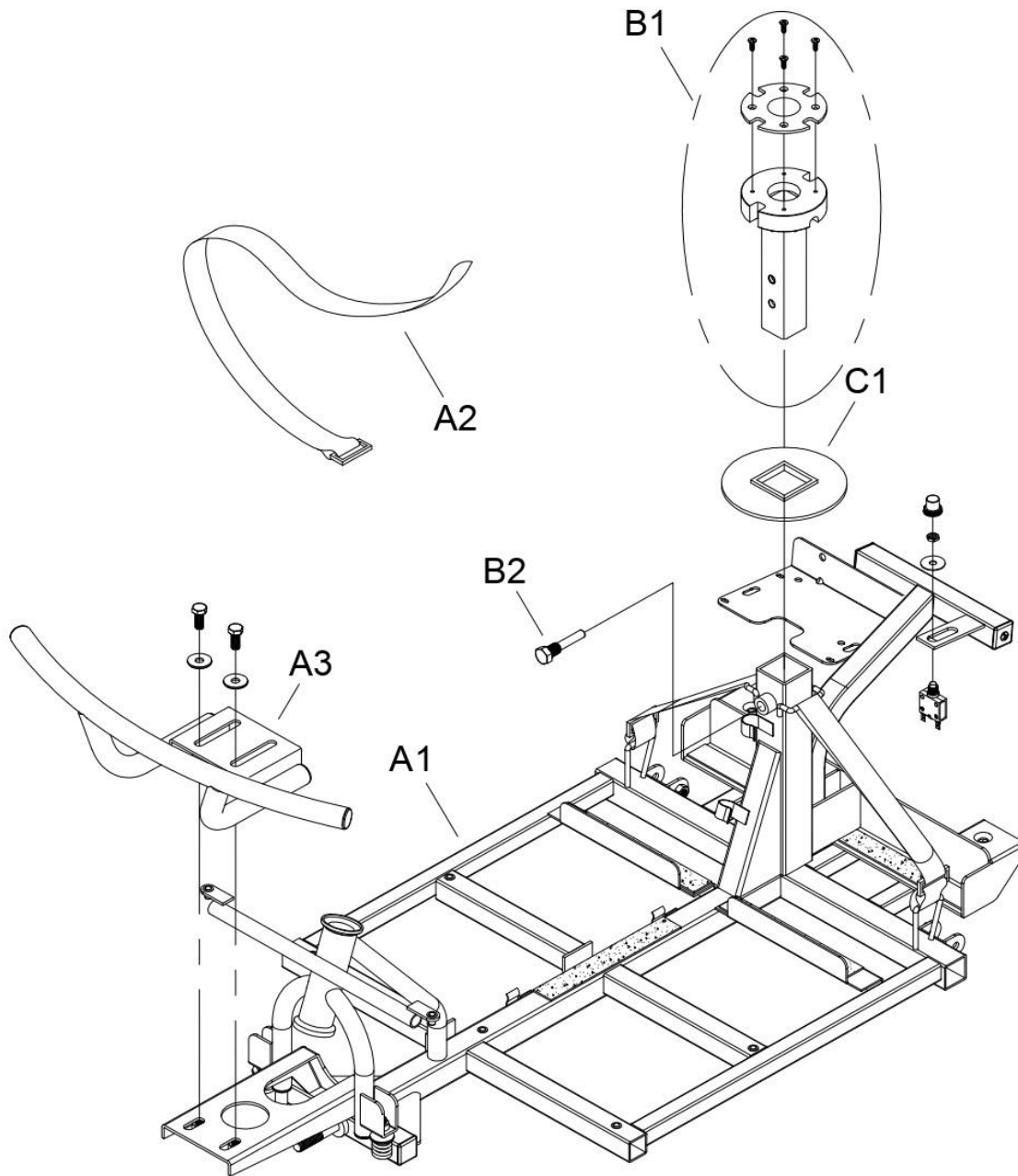
2. CHASSIS COVER ASSEMBLY



2. CHASSIS COVER ASSEMBLY

販售 Selling	項目 ITEM	品號 Part Number	中文品名 Part Name-CN	英文品名 Part Name-EN	數量 QTY	備註 Remark	GBP
	A1-D1						
	A1-A6	AA04-1425-MG	前車殼總成	Front chassis cover assy.	1		
	A1	PP04-0112-MG	前車殼	Front chassis cover	1		
	A2	PKE3-0400	前方向燈線空中接頭	Front indicator adapter wire	1		
	A3	PL00-0100	橢圓型貼紙	Sticker	1	FreeRider	
	A4	PAE3-0200-L	方向燈小總成-左	Indicator assy.(Left)	1	24V	
	A5	PAE3-0200-L/R	方向燈小總成-後左/前右	Indicator assy.(Right)	1	Front/24V	
	A6	PP04-0531	腳踏墊	PVC foot mat	2		
	B1-B9	AA05-1231-MG	後車殼總成	Rear chassis cover assy.	1		
	B1	PP05-0106-MG	後車殼	Rear chassis cover	1		
	B2	PKE3-0500	後方向燈線空中接頭	Rear indicator adapter wire	1		
	B3	PL00-0100	橢圓型貼紙	Sticker	1	FreeRider	
	B4	PAE3-0100-L	後大燈小總成-左	Tail light assy.(Left)	1	24V	
	B5	PAE3-0100-R	後大燈小總成-右	Tail light assy.(Right)	1	24V	
	B6	PAE3-0200-L/R	方向燈小總成-後左/前右	Indicator assy.(Left)	1	Rear/24V	
	B7	PAE3-0200-R	方向燈小總成-右	Indicator assy.(Right)	1	24V	
	B8	PA05-A400-R	反光片-紅	Reflector (Red)	2		
	B9	PA05-A400-Y	反光片-黃	Reflector (Orange)	2		
	C1	PP04-1100-D1	腳踏板	Footplate cover	1		
	D1	PP04-0530	腳踏墊	PVC foot mat	1		

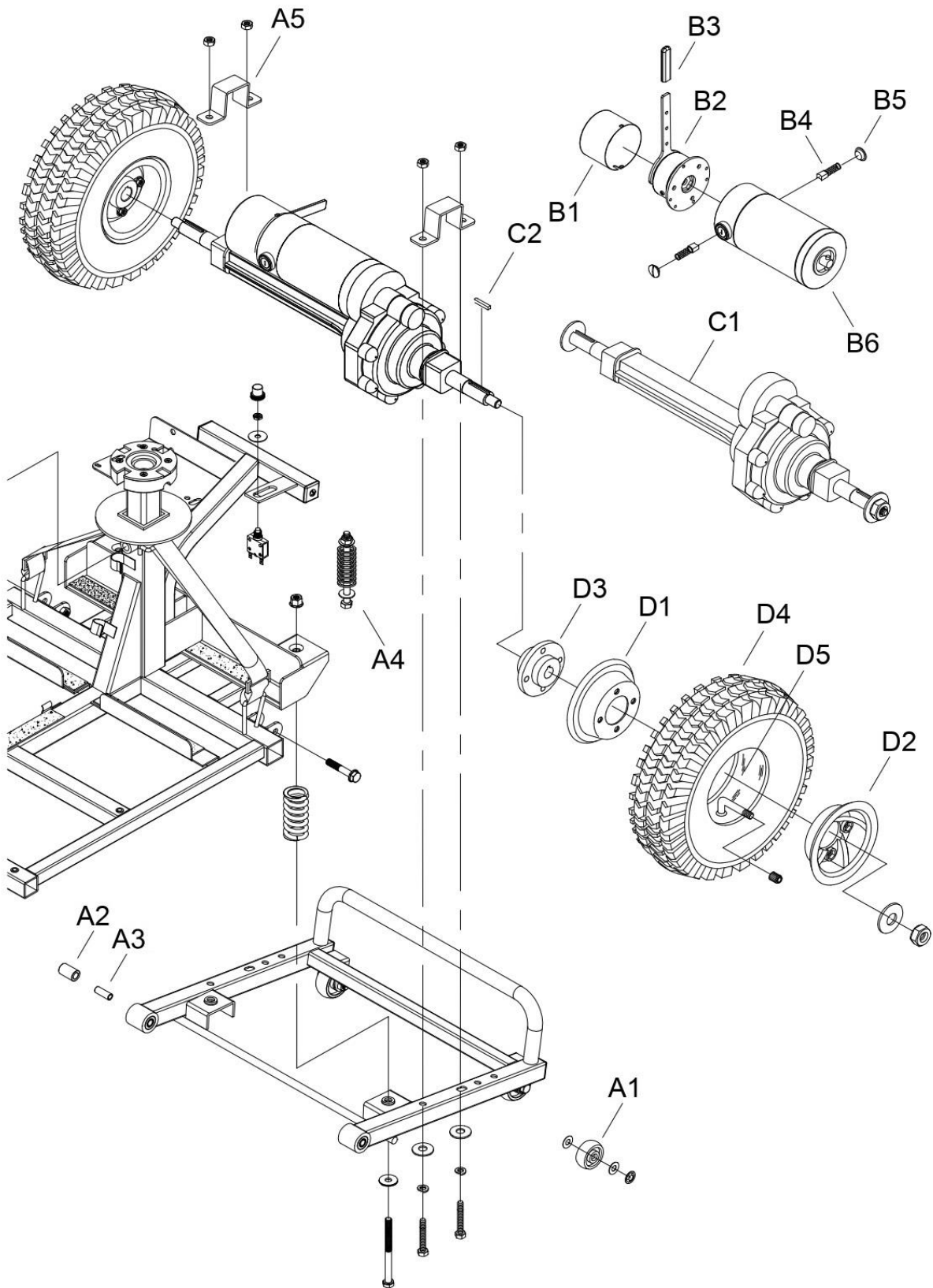
3. FRONT CHASSIS ASSEMBLY



3. FRONT CHASSIS ASSEMBLY

販售 Selling	項目 ITEM	品號 Part Number	中文品名 Part Name-CN	英文品名 Part Name-EN	數量 QTY	備註 Remark	GBP
	A1-C1						
	A1	AB06-0510-S	前車架總成	Front chassis assy.	1		
	A2	PP90-0401	電瓶束帶	Battery fasten strap	2		
	A3	PA06-A406	前保險桿小總成	Front bumper assy.	1		
	B1	PA06-A703-1	高低調整座小總成	Seat post assy.	1		
	B2	PV00-0702-1	高低調整座螺栓	Screw	1		
	C1	PP06-0102	後橡膠套	Rubber cover rear	1		

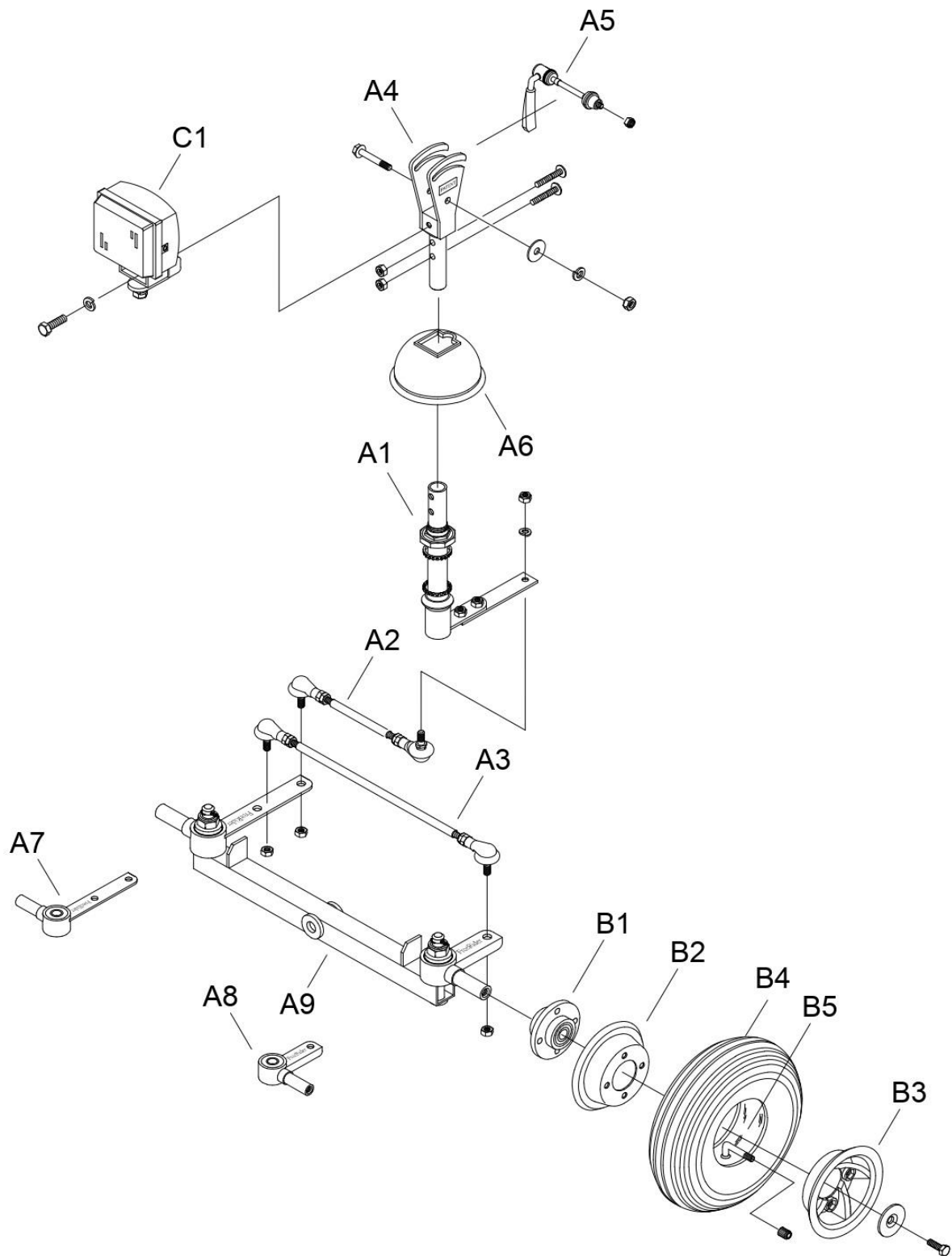
4. REAR CHASSIS ASSEMBLY-DRIVE SYSTEM



4. REAR CHASSIS ASSEMBLY-DRIVE SYSTEM

販售 Selling	項目 ITEM	品號 Part Number	中文品名 Part Name-CN	英文品名 Part Name-EN	數量 QTY	備註 Remark	GBP
	A1-D5						
	A1-A3	AB07-0531	後車架總成	Rear chassis assy.	1		
	A1	PA07-A102	防傾輪小總成	Anti-tip wheel assy.	2		
	A2	PM00-0107-1	強化塑膠軸套	Bushing	2		
	A3	PM00-0114	套筒	Tube	2		
	A4	PA06-B100	避震器	Suspension	2		
	A5	PM07-0202	差速器固定鐵片	Transaxle plate	2		
	B1-C2	AC11-1703-SY36C	差速器總成	Transaxle/Motor/Brake assy.	1		
	B1-B6	PA05-A109-SY36C	馬達小總成	Motor/Brake assy.	1		
	B1	PP11-0604	剎車蓋	Brake cover	1		
	B2	PM11-0105-P	剎車器	Magnetic brake	1		
	B3	PP11-0301	離合器拉桿膠套	Plastic cover for wigwag	1		
	B4	PM11-0403-50	馬達碳刷	Motor carbon brush	2		
	B5	PP11-0201	碳刷蓋	Carbon brush cap	2		
	B6	PM11-0310-SY36B	馬達	Motor	1	250W/3600RPM	
	C1	PA11-A901	差速器小總成	Transaxle	1	19.25:1	
	C2	PM13-0201	單圓鍵	Axle key	2		
	D1-D5	AC13-0503-DI	後輪總成	Rear wheel assy.	2		
	D1	PM12-0302	鐵圈	Rim	2	4"	
	D2	PM12-0407	鋁圈	Aluminum rim	2	4"	
	D3	PM13-0104	後輪接器	Rear hub	2		
	D4	PP92-0301-DI	輪胎	Tyre	2	10"	
	D5	PP93-0300-I	內胎	Tube	2		

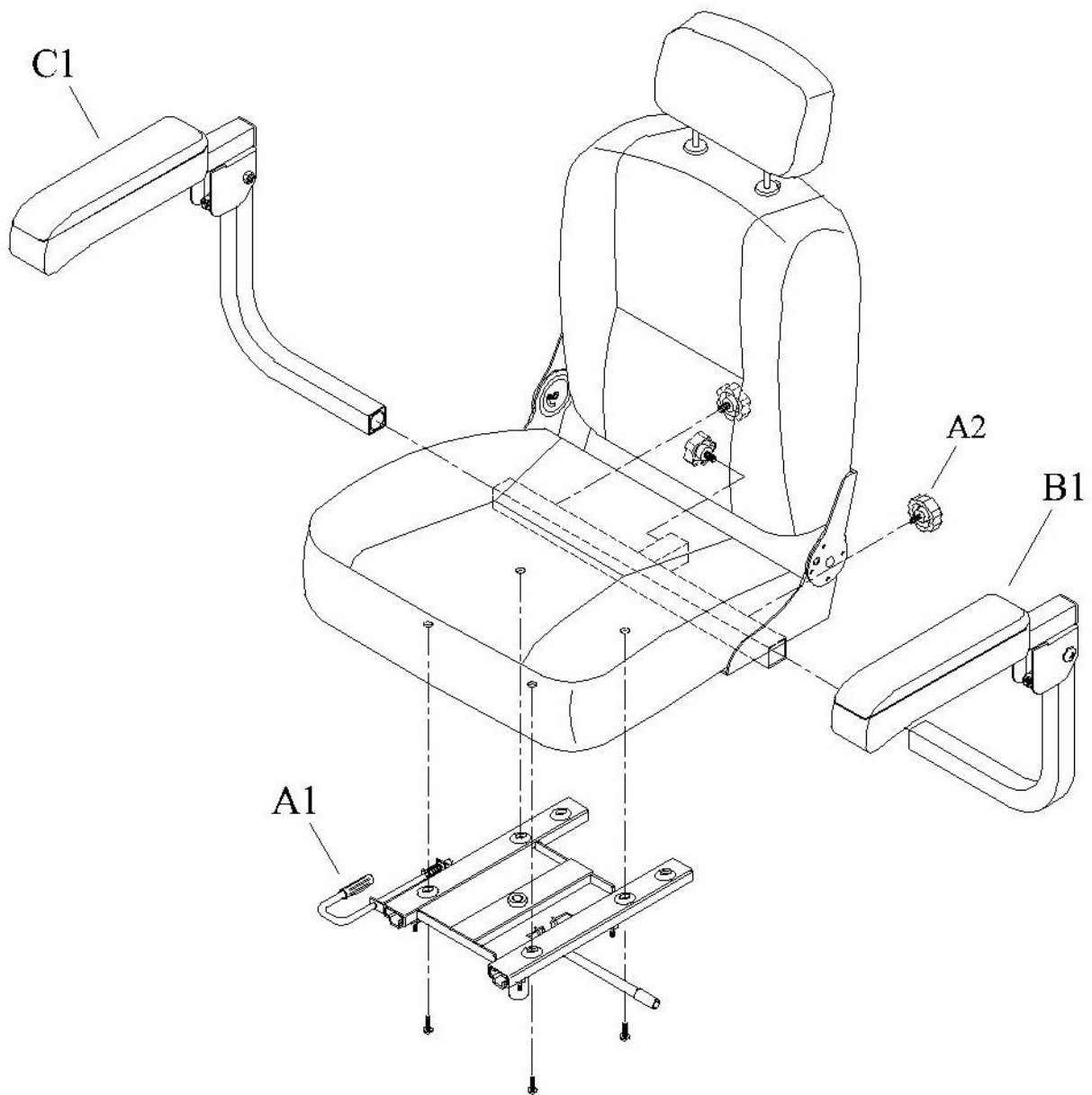
5. STEERING



5. STEERING

販售 Selling	項目 ITEM	品號 Part Number	中文品名 Part Name-CN	英文品名 Part Name-EN	數量 QTY	備註 Remark	GBP
	A1 - C1						
	A1	AC08-0105	L型桿總成	Steering shaft assy.	1		
	A2	PA09-A213-F	短連桿小總成	Short connecting rod assy.	1		
	A3	PA09-A200-F	長連桿小總成	Long connecting rod assy.	1		
	A4	PA10-A100	角度調整器小總成	Handlebar jointbase assy.	1		
	A5	PA10-A200	迫緊拉桿小總成	Tighten handle assy.	1		
	A6	PP10-0101	前橡膠套	Rubber cover	1		
	A7	PA09-A600	轉向器(長)小總成	Turning axle assy.(long)	1		
	A8	PA09-A601	轉向器(短)小總成	Turning axle assy.(short)	1		
	A9	PM09-0500	前輪桿	Front axle	1		
	B1 - B5	AC12-0502-DI	前輪總成	Front wheel assy.	2		
	B1	PA12-A100	前輪連接器小總成	Front hub	2		
	B2	PM12-0302	鐵圈	Rim	2	4"	
	B3	PM12-0407	鋁圈	Aluminum rim	2	4"	
	B4	PP92-0300-DI	輪胎	Tyres	2	10"	
	B5	PP93-0300-I	內胎	Tire	2		
	C1	PA06-A102	前大燈總成	Head light assy.	1	24V	

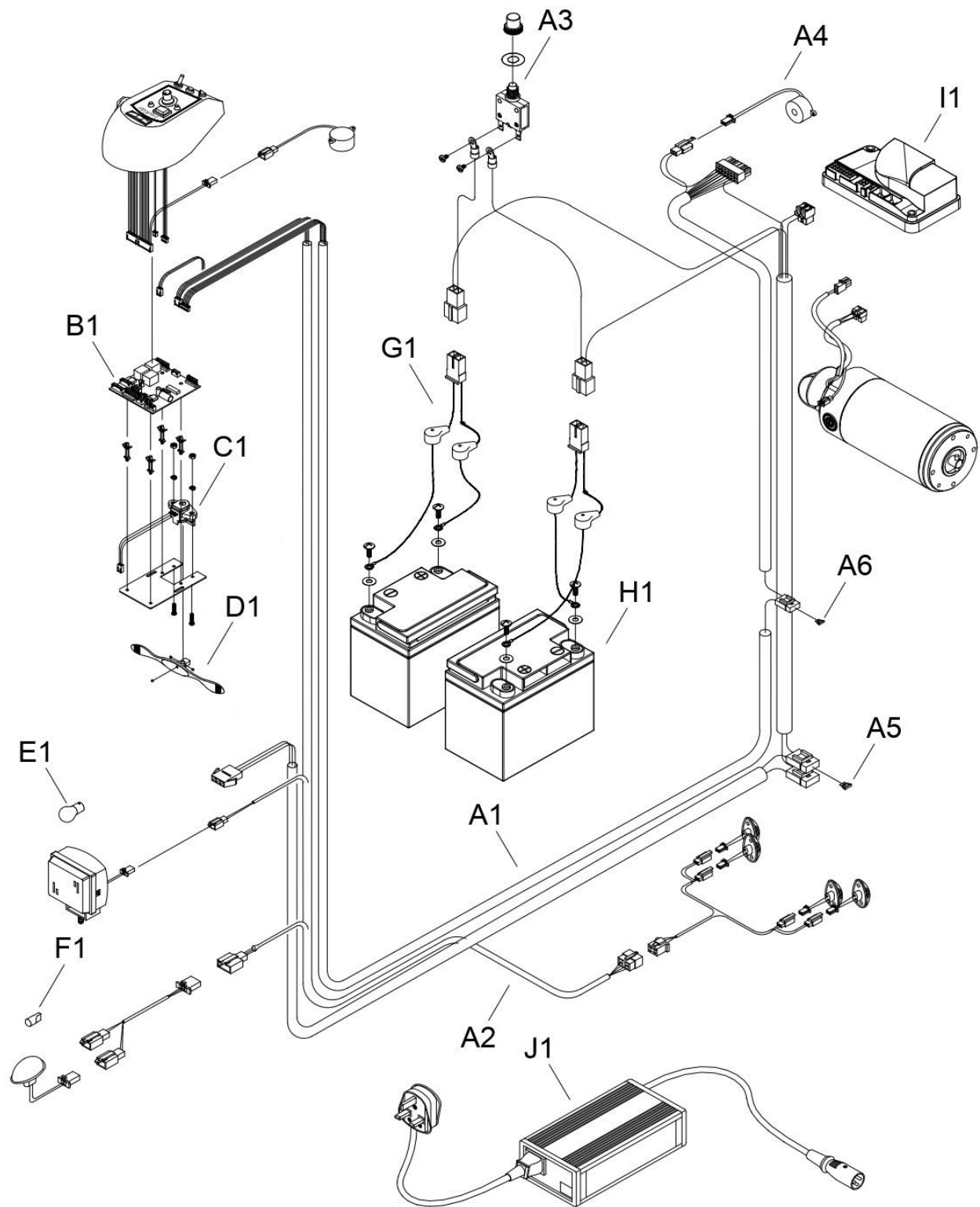
6. SEAT ASSEMBLY



6. SEAT ASSEMBLY

販售 Selling	項目 ITEM	品號 Part Number	中文品名 Part Name-CN	英文品名 Part Name-EN	數量 QTY	備註 Remark	GBP
	A1-C1						
	A1-C1	AD00-0220-G1	豪華座椅大總成	Seat assy.	1		
	A1-A2	AD15-0203-G1	座椅總成	Seat assy.	1		
	A1	PA15-A104	承座小總成	Seat base assy.	1		
	A2	PP00-0200	梅花旋鈕	Knob	3	M8×15L	
	B1	AD14-0600-L-A00	座椅扶手總成-左	Armrest assy.(Left)	1		
	C1	AD14-0600-R-A00	座椅扶手總成-右	Armrest assy.(Right)	1		

7.CONSOLE AND WIRING SYSTEM



7.CONSOLE AND WIRING SYSTEM

販售 Selling	項目 ITEM	品號 Part Number	中文品名 Part Name-CN	英文品名 Part Name-EN	數量 QTY	備註 Remark	GBP
	A1-J1						
	A1	PKE2-0222	主線	Main cable	1		
	A2	PKE3-0606	前後大燈線	Light line	1		
	A3	PKE2-0403	無熔絲開關	Circuit breaker	1	35A	
	A4	PKE1-0601	倒車喇叭	Horn	1		
	A5	PKE1-1002	保險絲	Fuse	1	10A	
	A6	PKE1-1002-2	保險絲	Fuse	1	10A	
	B1	PM90-0900	鑰匙	Key	1		
	C1	PAE1-0300-B1	PCB板	Printed Circuit Board(P.C.B)	1		
	D1	PA02-A204	5KVR小總成	5KVR Potentiometer bracket assy.	1		
	E1	PM02-0300-D2	前後撥桿	Wig wag accelerator	1		
	F1	PK00-0102	燈泡	Bulb	1	24V/21W	
	G1	PK00-0101	燈泡	Bulb	6	24V/5W	
	H1	PAE3-0300-R-1	電源線小總成	Battery cable assy.	2		
	H2	PK90-0205-KL	電瓶	Battery	2	36A	
	I1	PKE2-0112	下控制器	Controller	1	DR90	
	J1	PK90-H502-1	充電機	Charger	1	5A	