

FreeRider[®]

SPARE PARTS MANUAL

FR1-CITY

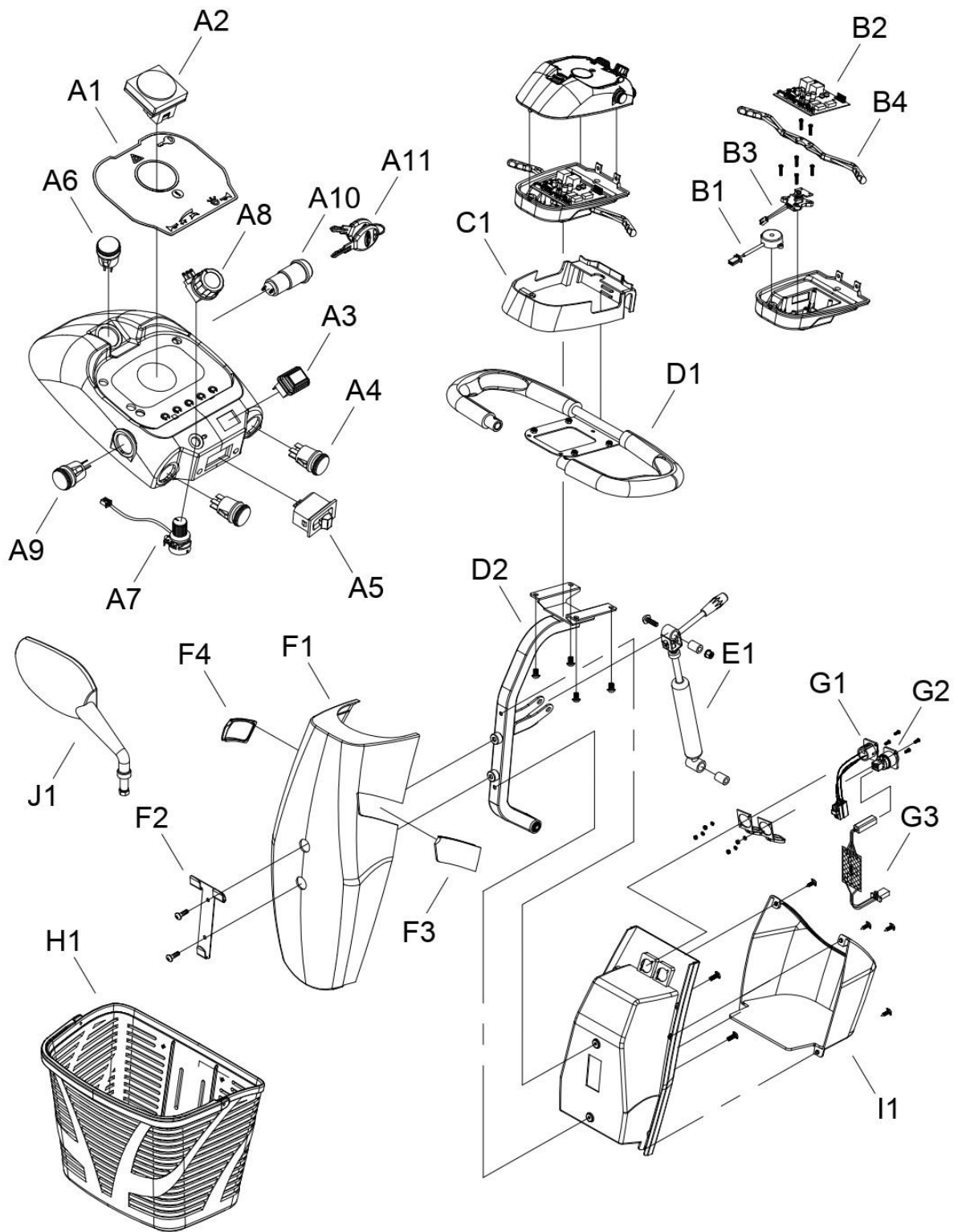
FRS134BRUKNC



INDEX

1. **HANDLEBAR ASSEMBLY**-----
P.4
2. **CHASSIS COVER ASSEMBLY**-----
P.6
3. **FRONT CHASSIS ASSEMBLY**-----
P.8
4. **REAR CHASSIS ASSEMBLY-DRIVE SYSTEM**---P.10
5. **STEERING**-----
P.12
6. **SEAT ASSEMBLY**-----
P.14
7. **CONSOLE AND WRING SYSTEM**-----
P.16

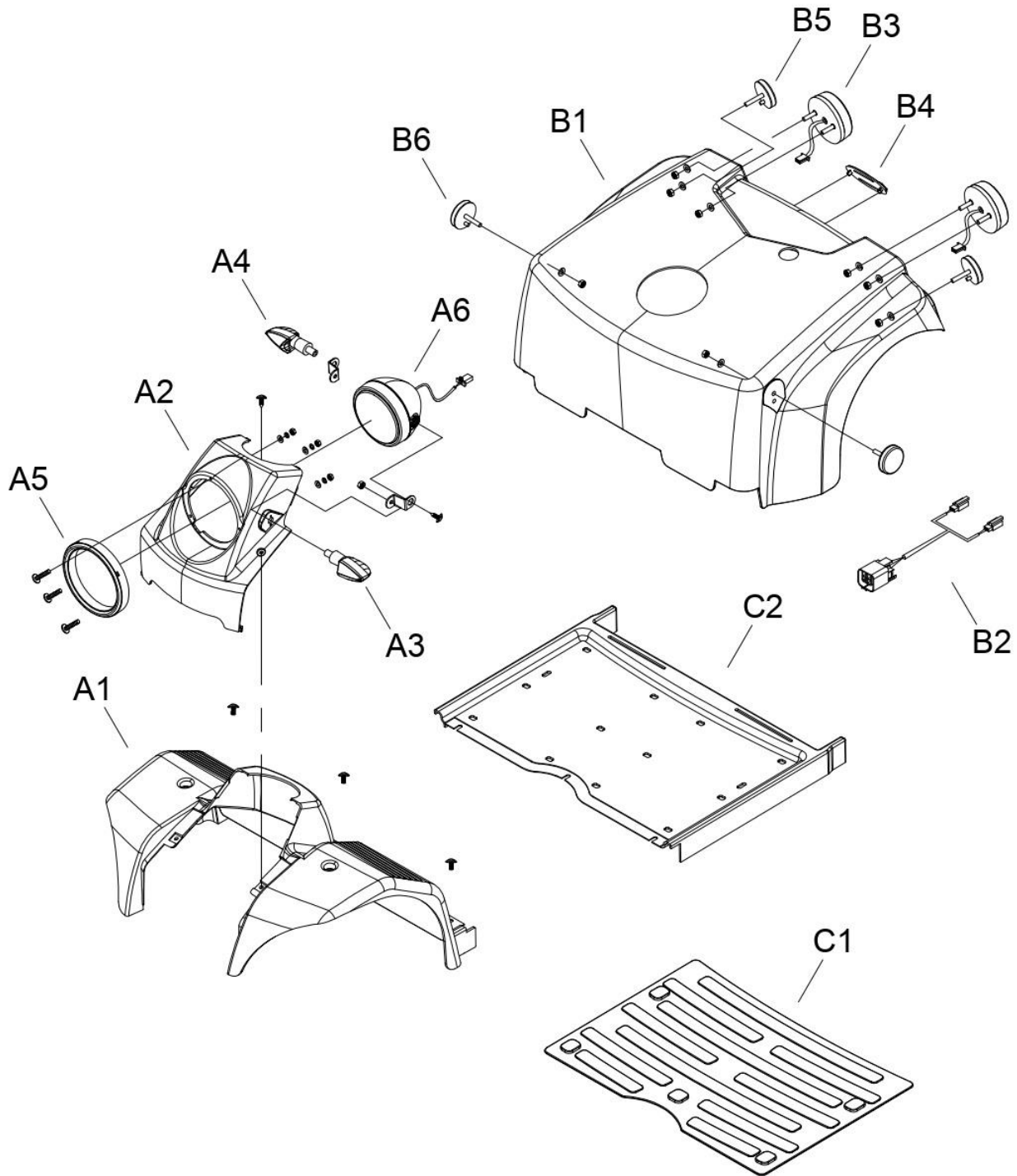
1. HANDLEBAR ASSEMBLY



1. HANDLEBAR ASSEMBLY

販售 Selling	項目 ITEM	品號 Part Number	中文品名 Part Name-CN	英文品名 Part Name-EN	數量 QTY	備註 Remark	GBP
	A1-J1						
	A1-A10	AA01-1200-OD	把手上蓋總成	Top console cover assy.	1		
	A1	PL01-0157	面板貼紙	Sticker	1		
	A2	PKE1-0716	電量表	Battery meter	1		
	A3	PKE1-0111	大燈開關	Head light switch	1		
	A4	PKE1-0113	喇叭開關	Horn button	2		
	A5	PKE1-0114	方向燈開關	Indicator switch	1		
	A6	PKE1-0115	警示燈開關	Warning switch	1		
	A7	PAE1-0105-MO	20KVR小總成	20KVR Potentiometer	1	W/speed knob	
	A8	PP01-0501	速度旋鈕	Speed knob	1		
	A9	PKE1-0112	全/半速開關	HI/LO Speed switch	1		
	A10	PM01-0100	鑰匙開關	Key switch	1		
	A11	PM90-0900	鑰匙	Key	1		
	B1-B4	AAA2-0212-OD	把手下蓋小總成	Console bottom cover assy.	1		
	B1	PKE1-0605-B	喇叭	Horn	1		
	B2	PAE1-0321	PCB板	P.C.B	1		
	B3	PAE1-0207	5KVR總成	5KVR Potentiometer	1		
	B4	PP02-0601	前後撥桿	Wig wag accelerator	1		
	C1	PP01-0900-OD	把手頭蓋	Console cover	1		
	D1	PM02-0516	握式把手	Delta handlebar	1		
	D2	PA00-A104	把手架小總成	Tiller frame assy.	1		
	E1	PA03-A201	油壓桿小總成	Cylinder assy.	1		
	F1	PP03-0125-GD	把手前蓋	Tiller front cover	1		
	F2	PM03-0300-D1	籃子掛鈎	Basket hook	1		
	F3	PP06-0106-L	把手前蓋橡膠蓋-左	Rubber cover(Left)	1		
	F4	PP06-0106-R	把手前蓋橡膠蓋-右	Rubber cover(Right)	1		
	G1-G3	AA02-0115	把手後蓋總成	Tiller rear cover assy.	1		
	G1	PAE1-0416	充電座小總成	Charge socket assy.	1		
	G2	PKE1-0909	USB座	USB charge socket	1		
	G3	PKE1-0258	USB轉接線	USB cable	1		
	H1	PA90-A200	籃子	Basket	1		
	I1	AA02-1405	置物蓋小總成	Storage	1		
	J1	PP90-0203-R	後照鏡-右	Mirror(Right)	1		

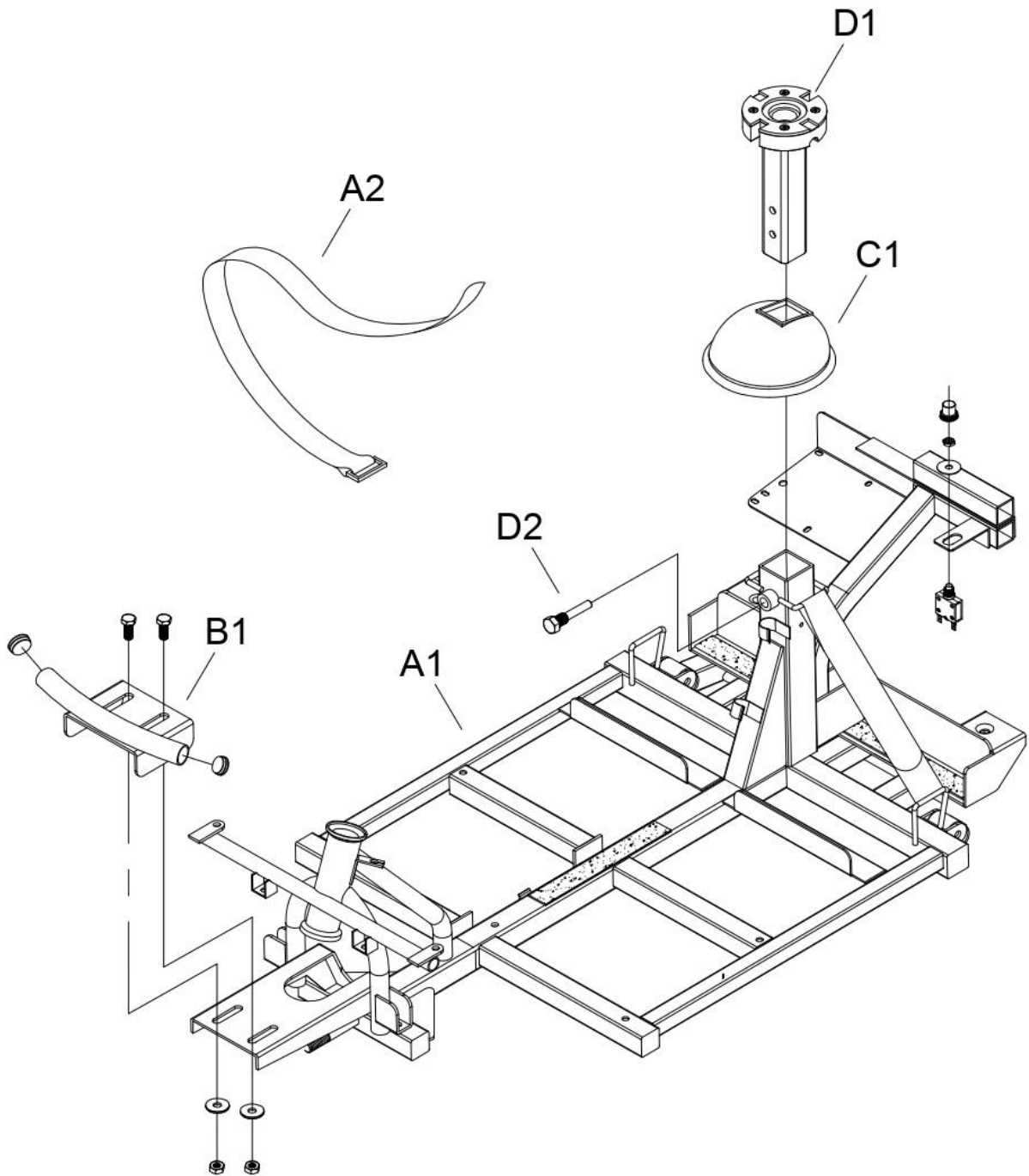
2. CHASSIS COVER ASSEMBLY



2. CHASSIS COVER ASSEMBLY

販售 Selling	項目 ITEM	品號 Part Number	中文品名 Part Name-CN	英文品名 Part Name-EN	數量 QTY	備註 Remark	GBP
	A1 - C2						
	A1 - A6	AA04-4209	前車殼總成	Front chassis cover assy.	1		
	A1	PP04-0165	前車殼	Front chassis cover	1		
	A2 - A4	AA04-2008-GD	大燈蓋總成	Headlight cover assy.	1		
	A2	PP04-1702-GD	大燈蓋	Headlight cover	1		
	A3	PAE3-0213-FL	方向燈小總成-左	Indicator assy.(Left)	1	24V	
	A4	PAE3-0213-FR	方向燈小總成-右	Indicator assy.(Right)	1	24V	
	A5	PAE3-0500-Y	晝行燈圈	Daylight	1		
	A6	PKE3-0115	前大燈	Headlight	1	24V	
	B1 - B6	AA05-2914-GD	後車殼總成	Rear chassis cover assy.	1		
	B1	PP05-0163-GD	後車殼	Rear chassis cover	1		
	B2	PKE3-0508	後方向燈線空中接頭	Rear indicator adapter wire	1		
	B3	PKE3-0206	後大燈	Tail light	2	24V	
	B4	PL94-0300-PT	LOGO銘版	Logo plate	1	Freerider	
	B5	PA05-A401-R	反光片(紅)	Reflector (Red)	2		
	B6	PA05-A401-Y	反光片(黃)	Reflector (Orange)	2		
	C1	PP04-0530	腳踏墊	PVC foot mat	1		
	C2	PP04-1100-D1	腳踏板	Footplate cover	1		

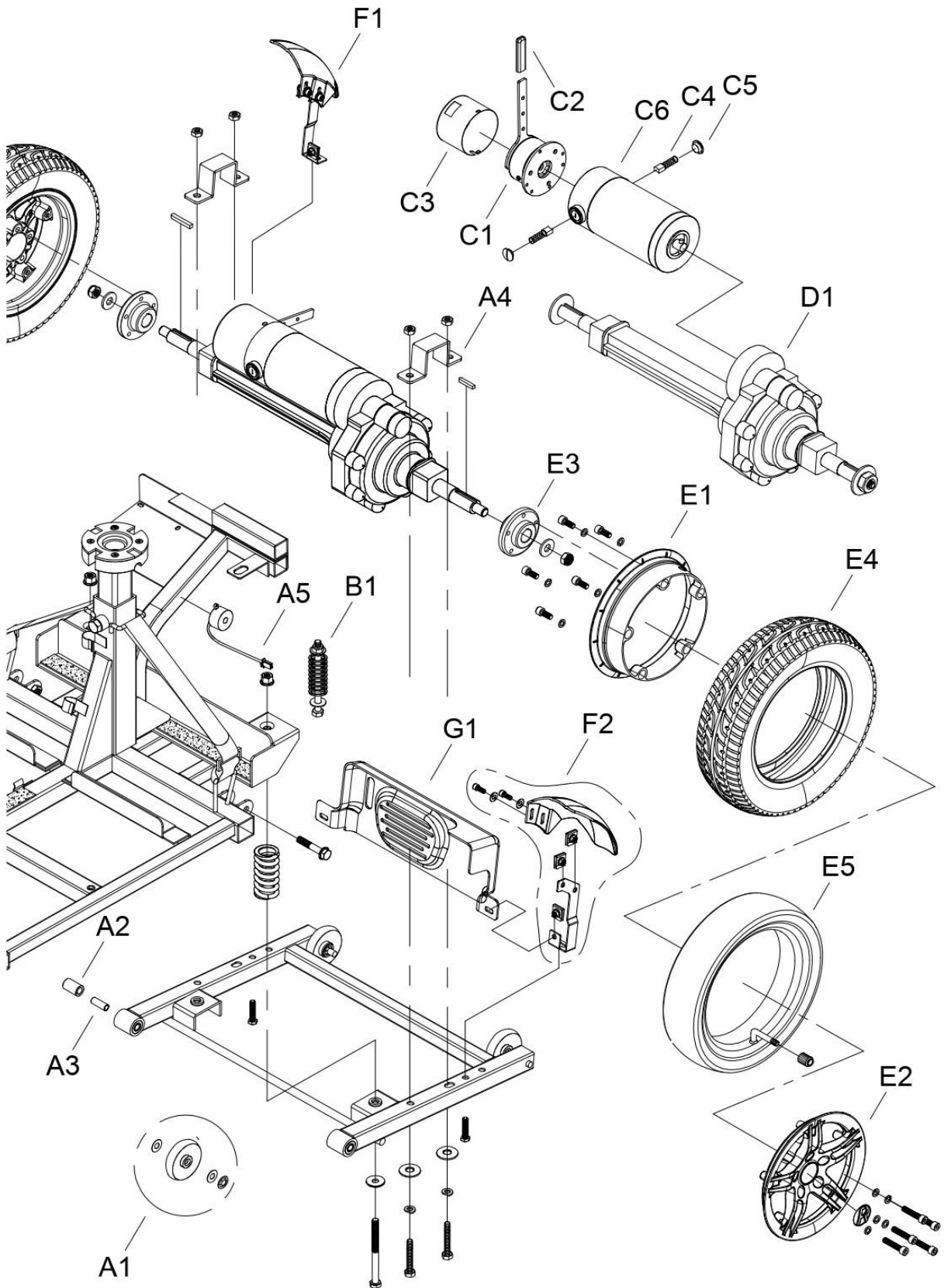
3. FRONT CHASSIS ASSEMBLY



3. FRONT CHASSIS ASSEMBLY

販售 Selling	項目 ITEM	品號 Part Number	中文品名 Part Name-CN	英文品名 Part Name-EN	數量 QTY	備註 Remark	GBP
	A1-D2						
	A1	AB06-2213	前車架總成	Front chassis assy.	1		
	A2	PP90-0401	電瓶束帶	Battery fasten strap	2		
	B1	PM06-0218	前保險桿	Front bumper	1		
	C1	PP06-0101	後橡膠套	Rubber cover	1		
	D1	PA06-A703-1	高低調整座小總成	Seat post assy.	1		
	D2	PV00-0702-1	高低調整座螺絲	Screw	1		

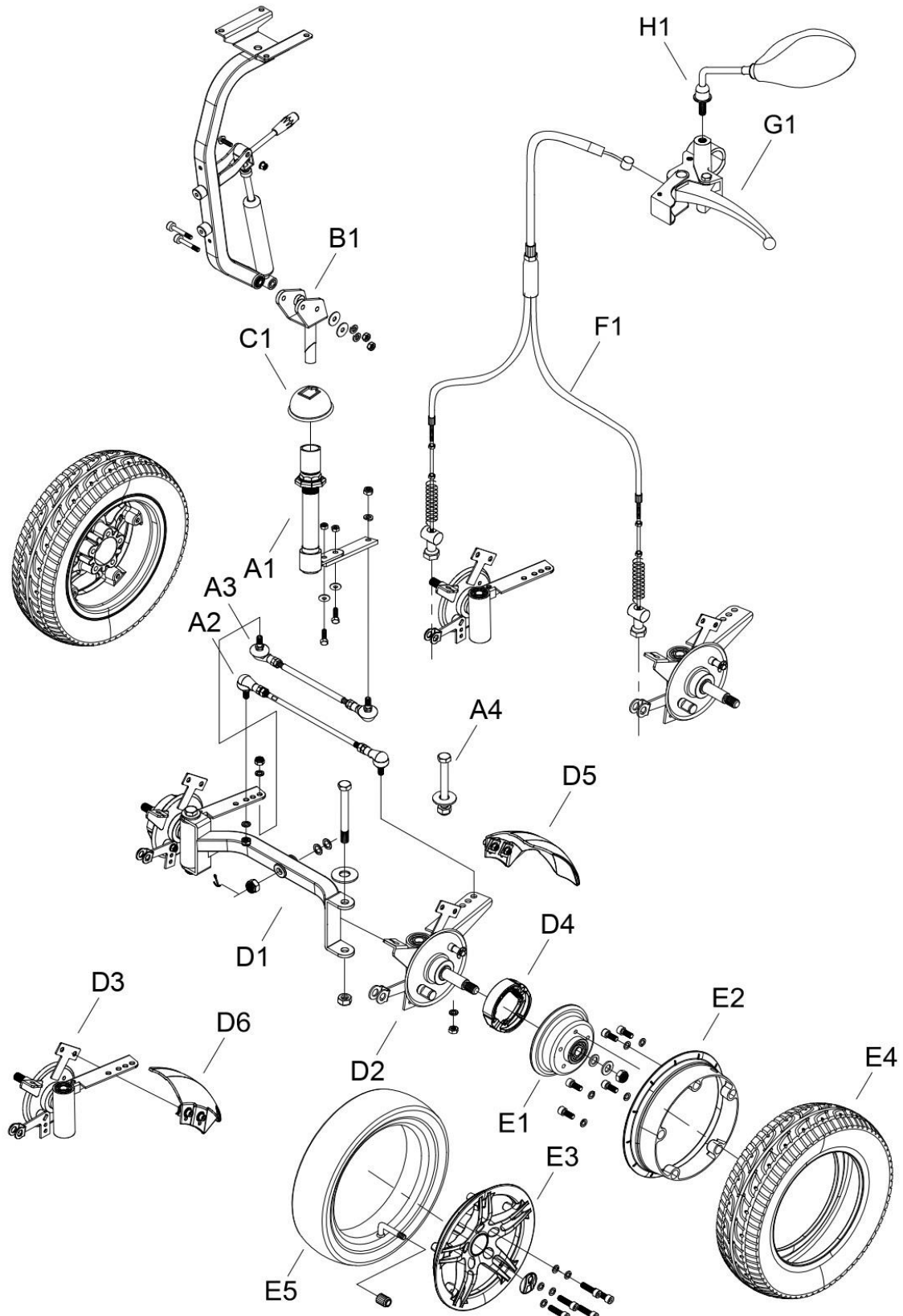
4. REAR CHASSIS ASSEMBLY-DRIVE SYSTEM



4. REAR CHASSIS ASSEMBLY-DRIVE SYSTEM

販售 Selling	項目 ITEM	品號 Part Number	中文品名 Part Name-CN	英文品名 Part Name-EN	數量 QTY	備註 Remark	GBP
	A1 – G1						
	A1 – A5	AB07-1601	後車架總成	Rear chassis assy.	1		
	A1	PA07-A111	防傾輪小總成	Anti-tip wheel assy.	2		
	A2	PM00-0107-1	強化塑膠軸套	Bushing	2		
	A3	PM00-0114	套筒	Tube	2		
	A4	PM07-0202	差速器固定鐵片	Transaxle plate	2		
	A5	PKE1-0601	倒車喇叭	Horn	1		
	B1	PA06-B100	大彈簧小總成	Suspension	2		
	C1 – D2	AC11-2212-SY51	差速器總成	Transaxle/Motor/Brake assy.	1		
	C1 – C6	PA05-A139-SY51A	馬達小總成	Motor/Brake assy.	1		
	C1	PM11-0123	剎車器	Magnetic brake	1		
	C2	PP11-0301	離合器拉桿膠套	Plastic cover for wigwag	1		
	C3	PP11-0609	剎車蓋	Brake cover	1		
	C4	PM11-0408-45	馬達碳刷	Motor carbon brush	2		
	C5	PP11-0205	碳刷蓋	Carbon brush cap	2		
	C6	PM11-0344-SY51A	馬達	Motor	1	600W/5100RPM	
	D1	PA11-B900	差速器	Transaxle	1	22:1	
	D2	PM13-0201	單圓鍵	Axle key	2		
	E1 – E5	AC13-1504-DY	後輪總成(氣胎)	Rear wheel assy.	2	Pneumatic tire	
	E1	PM12-0310	內鋁框	Inner aluminum rim	1	8"	
	E2	PM12-0410	外鋁框	Outer aluminum rim	1		
	E3	PM13-0105	後輪接器	Rear hub	2		
	E4	PP92-0209-DI	輪胎	Tyre (Air)	2	12"	
	E5	PP93-0203-I	內胎	Tube	2		
	F1	PA07-B151-R-EB	後輪防水罩小總成-右	Rear mudguard assy.(Right)	1		
	F2	PA07-B151-L-EB	後輪防水罩小總成-左	Rear mudguard assy.(Left)	1		
	G1	PA04-A306	馬達罩小總成	Motor cover assy.	1		

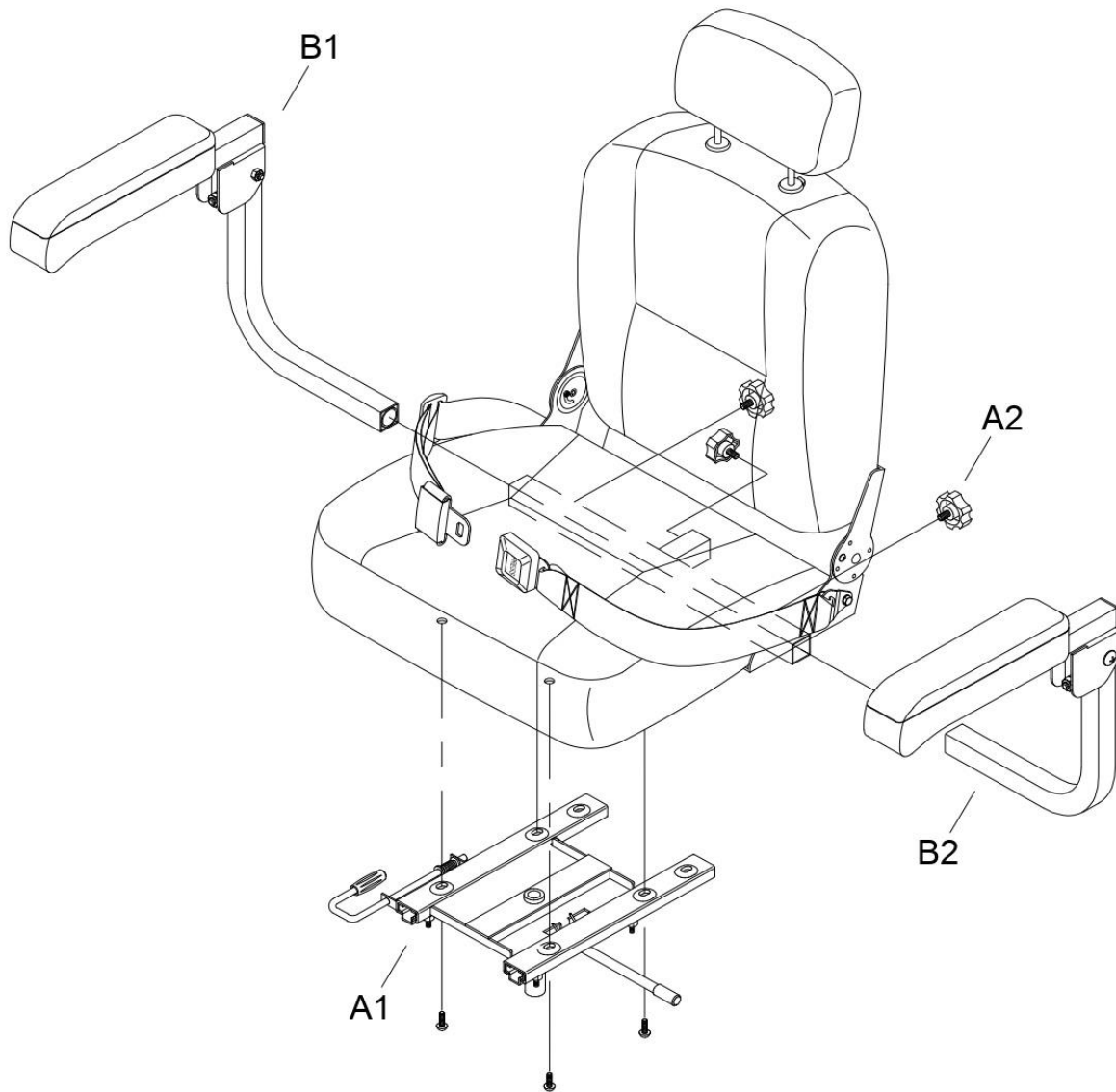
5. STEERING



5. STEERING

販售 Selling	項目 ITEM	品號 Part Number	中文品名 Part Name-CN	英文品名 Part Name-EN	數量 QTY	備註 Remark	GBP
	A1 – H1						
	A1	AC08-0121	L型桿總成	Steering shaft assy.	1		
	A2	PA09-A200-F	長連桿小總成	Long connecting rod assy.	1		
	A3	PA09-A201-F	短連桿小總成	Short connecting rod assy.	1		
	A4	PA06-B300	M12螺絲小總成	M12 screw	2		
	B1	PA10-A108	角度調整器總成	Handlebar jointbase assy.	1		
	C1	PP10-0101	前橡膠套	Rubber cover	1		
	D1	PM09-0553	前輪桿	Front axle	1		
	D2	PA09-A312-L	轉向心軸小總成-左	Turning axle assy.(Left)	1		
	D3	PA09-A312-R	轉向心軸小總成-右	Turning axle assy.(Right)	1		
	D4	PM19-0703	剎車來令片含彈簧	Brake pad with spring	1		
	D5	PA07-B109-L-EB	前輪防水罩小總成-左	Front mudguard assy.(Left)	1		
	D6	PA07-B109-R-EB	前輪防水罩小總成-右	Front mudguard assy.(Right)	1		
	E1 – E5	AC12-0510-DY	前輪總成(氣胎)	Front wheel assy.	2	Pneumatic tire	
	E1	PA19-A502	剎車鼓小總成	Brake drum	2		
	E2	PM12-0310	內鋁框	Inner aluminum rim	1	8"	
	E3	PM12-0410	外鋁框	Outer aluminum rim	1		
	E4	PP92-0209-DI	輪胎	Tyre (Air)	2	12"	
	E5	PP93-0203-I	內胎	Tube	2		
	F1	PA19-A406	剎車鋼線小總成	Brake cable assy.	1		
	G1	PM19-0101-L/D	手剎車	Hand brake	1	Left	
	H1	PP90-0203-L	後照鏡-左	Mirror (Left)	1		

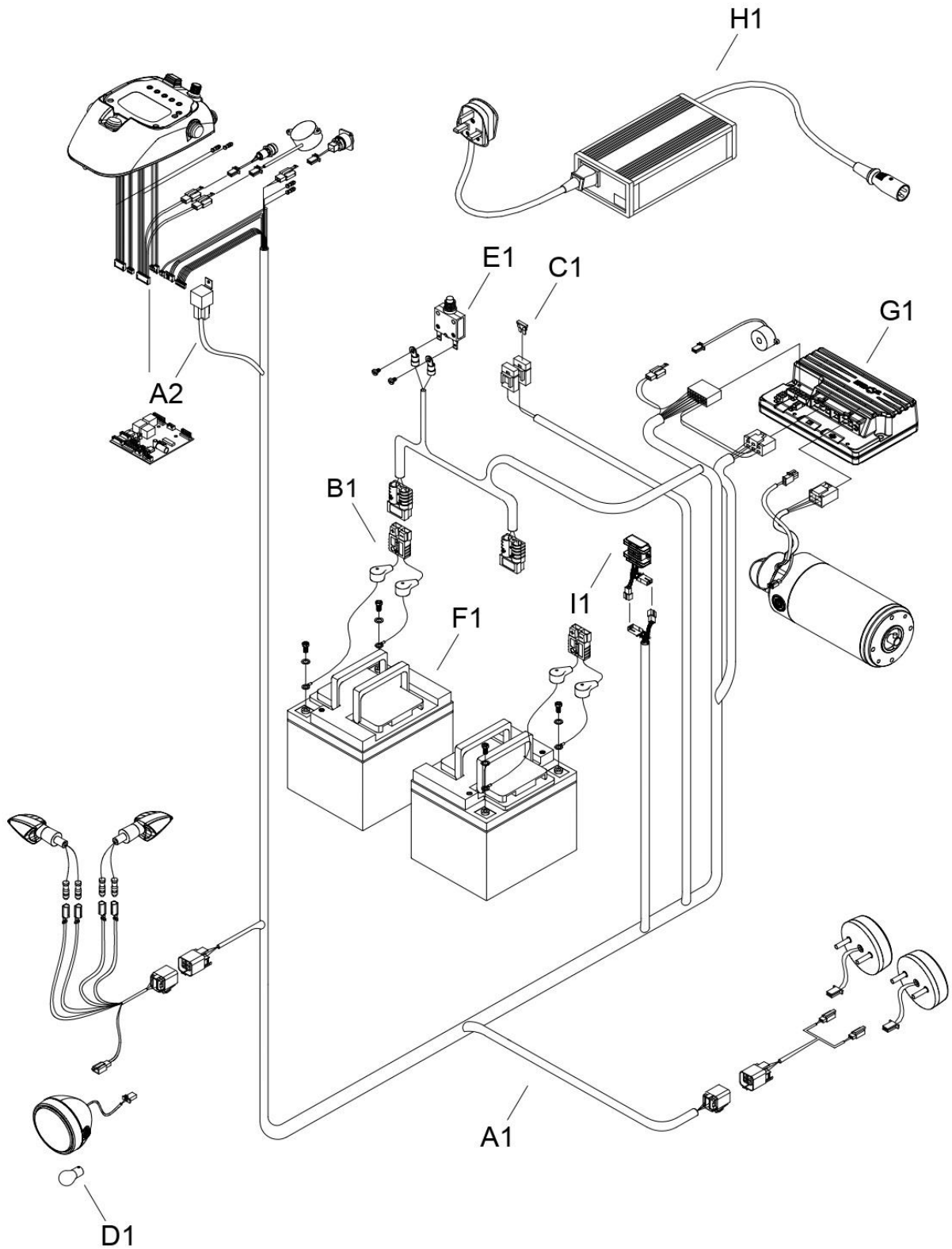
6. SEAT ASSEMBLY



6. SEAT ASSEMBLY

販售 Selling	項目 ITEM	品號 Part Number	中文品名 Part Name-CN	英文品名 Part Name-EN	數量 QTY	備註 Remark	GBP
	A1 - B2						
	A1 - B2	AD00-0240-BG	豪華座椅大總成	Seat assy.	1		
	A1 - A2	AD15-0220-BG	座椅總成	Seat assy.	1		
	A1	PA15-A105-1	承座小總成	Seat base assy.	1		
	A2	PP00-0200	梅花旋鈕	Knob	3		
	B1	AD14-0600-R-A00	座椅扶手總成-右	Armrest assy.(Right)	1		
	B2	AD14-0600-L-A00	座椅扶手總成-左	Armrest assy.(Left)	1		

7.CONSOLE AND WIRING SYSTEM



7. CONSOLE AND WIRING SYSTEM

販售 Selling	項目 ITEM	品號 Part Number	中文品名 Part Name-CN	英文品名 Part Name-EN	數量 QTY	備註 Remark	GBP
	A1-H1						
	A1	PKE2-0247	主線	Main cable	1	W/Relay	
	A2	PK00-0700	繼電器	Relay	1		
	B1	PAE3-0301-1	電源線小總成	Battery cable assy.	2		
	C1	PKE1-1002	保險絲	Fuse	1	10A	
	D1	PK00-0114	燈泡	Bulb	1	24V/18W	
	E1	PKE2-0402	無熔絲開關	Circuit breaker	1	50A	
	F1	PK90-0206-KL	電池	Battery	2	50A	
	G1	PKE2-0122	下控制器	Controller	1	DS90	
	H1	PK90-H502-1	充電機	Charger	1	5A	